

© 2008 ENGINEERED PLASTICS
 CONFIDENTIAL AND PROPRIETARY DOCUMENT
 ANY ONE OR MORE OF THE FOLLOWING
 PATENTS MAY APPLY
 U. S. PATENT NO. 5,303,669, 5,775,835,
 6,449,790, AND 6,895,622 B2
 C.D.N. PATENT NO. 2,032,532, 2,070,984
 US PATENTS PENDING.
 © KENNETH E. SZEKELY

MATERIAL LIST

ITEM	DESCRIPTION	PART NO.	QTY
1	COLUMN BASE WITH DRAIN	CBASE-DR	1
2	COLUMN BASE	CBASE	1
3	CATENARY COLUMN BASE	CCBASE	1

REFERENCE DRAWINGS

DWG. NO.	DESCRIPTION

No.	DATE	REVISION	APPR.
1	04/18/07	ISSUED	J.D.
0	03/04/14	ISSUED	K.S.



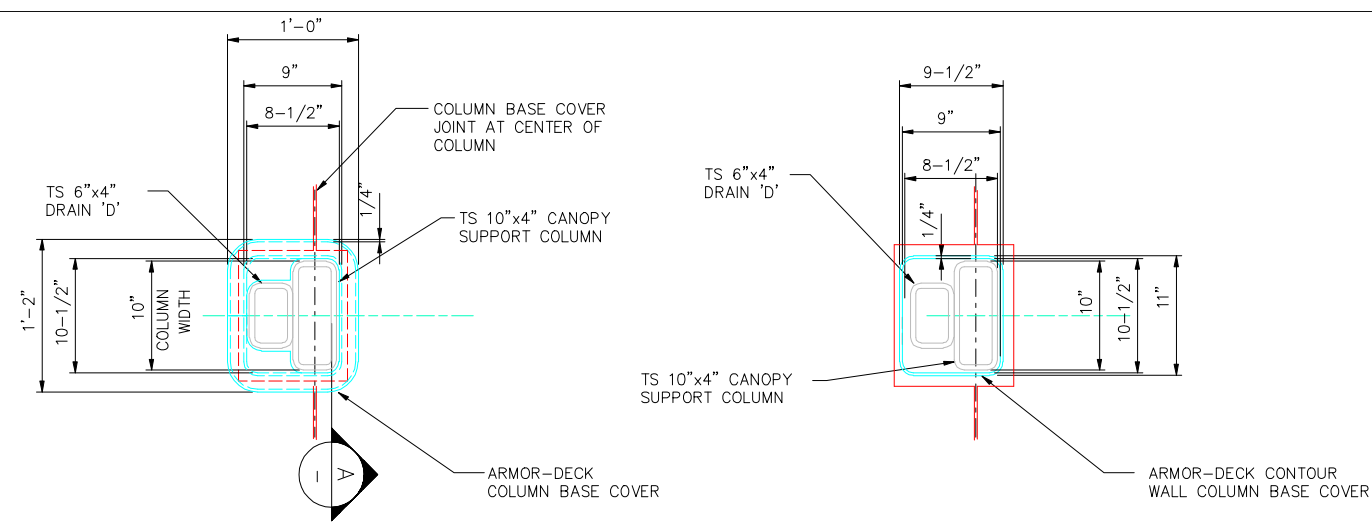
SCALE
 1/2" = 1' - 0" U.N.O.
 FULL SIZE

DESIGNED	BY K.E.S.	DATE 07/21/92
DRAWN	M.D.	06/04/00
CHECKED		

PROJECT MANAGER	
TRADE DETECTABLE WARNING SURFACE	PART NO. SEE MATERIAL LIST
MATERIAL VITRIFIED POLYMER COMPOSITE	
SUBJECT	

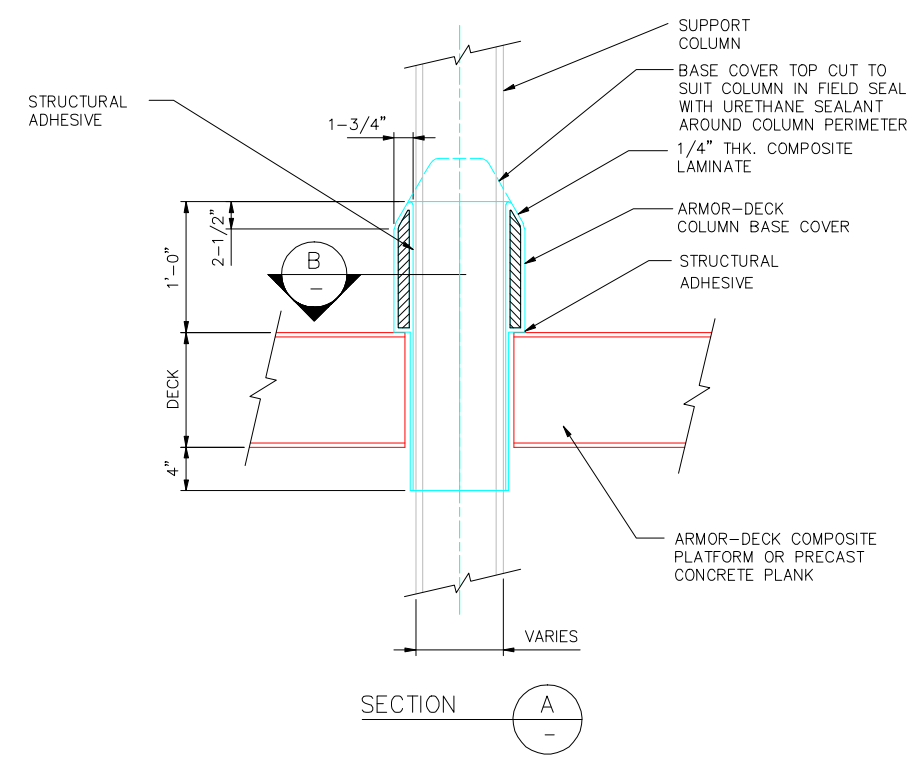
PROJECT
 4'-0" x 14'-10" COMPOSITE DECK
 CONTOUR WALL COLUMN BASE COVER
 PLAN AND DETAILS

DRAWING NO. AD-BASE COVERS	REV. NO. 1
-------------------------------	---------------

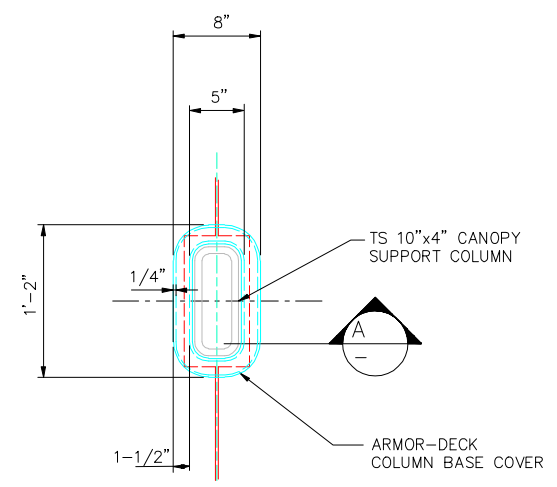


PLAN - TYP. CANOPY SUPPORT COLUMN
 C/W TS DRAINS EACH SIDE

SECTION B

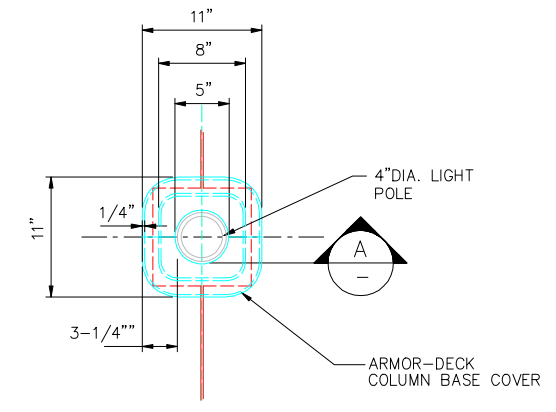


SECTION A



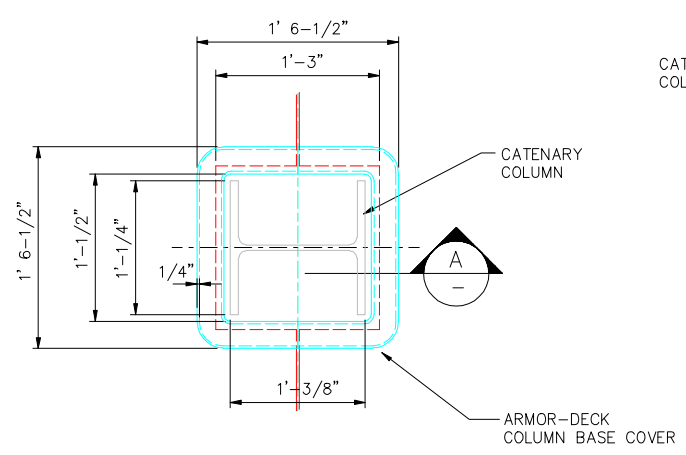
PLAN - TYP. CANOPY SUPPORT COLUMN

SECTION B



PLAN - TYP. STEEL LIGHT POLE

SECTION B



PLAN - TYP. CATENARY COLUMN

SECTION B